

NEW!

WATER LEVEL, TEMPERATURE, DATA LOGGING

Level **TROLL**[®] 300



Modbus, SDI-12,
and 4-20mA Ready
PLUS
Telemetry and
SCADA Capable!

Simple, Powerful, Easy Water Level

Rugged and Durable at a Great Price!

Guaranteed Accuracy and Performance

Guaranteed Battery Life PLUS External Power

FREE 24/7 Technical Support—Always!

12 reasons to choose the Level TROLL 300

- 1 In-Situ Reliability and Ruggedness at a great price!
- 2 Easy to install and easier to operate
- 3 Power it your way—Internal Battery only, Optional External Battery pack, or External Power
- 4 Every Level TROLL 300 has built-in MODBUS/RS485, SDI-12, and 4-20mA communications—no special adapters required!
- 5 No ceramic sensors that can compromise your data by drifting
- 6 Completely sealed instrument with removable nosecone
- 7 Error proofed data download—no way to burn out the internal battery during data downloads
- 8 Kevlar fiber reinforced direct reading cable available at ANY length up to 1200m or 4000ft
- 9 Industry leading Win-Situ LT software included at no charge with every Level TROLL 300
- 10 Compatible with In-Situ RuggedReader PocketPC and Pocket-Situ software for reliable field operation and data retrieval
- 11 SCADA Ready and Telemetry Ready—no confusing proprietary communication protocol!
- 12 100% Compatible with all In-Situ TROLL accessories

| | Baro TROLL® | Level TROLL 300 |
|--|------------------------------------|---|
| General | | |
| Operating temperature range | -20° to 80°C | 0° to 50°C |
| Dimensions, OD | 18.3mm (0.72") | 20.8mm (0.82") |
| Length | 21.6mm (8.5") | 22.9cm (9.0") |
| Weight | 0.197 kg (0.43 lb) | 0.24 kg (0.54 lb) |
| Output options | Modbus (RS-485) SDI-12, 4-20mA | Modbus (RS-485) SDI-12, 4-20mA |
| Housing material | Titanium | 316L Stainless Steel |
| Nose cone material | Black Delrin® | Black Delrin® |
| Power | | |
| Internal battery | 3.6V Lithium | 3.6V Lithium |
| Guaranteed life* | 5 yrs or 2-million dr | 5 yrs or 1-million dr |
| External power | 8-36VDC | 8-36VDC |
| *Whichever comes first. See battery guide for details. dr = data records | | |
| Logging | | |
| Memory / data records** | 1 MB / 100,000+ | 1 MB / 50,000+ |
| Logging Rate | 1 min – 49 days | 1 sec – 49 days |
| Modbus | 0.5 sec | 0.5 sec |
| SDI-12 | 0.5 sec | 0.5 sec |
| Measurement Types | Linear | Linear, Fast Linear |
| **data records = one reading with time stamp | | |
| Level Sensor | | |
| Type | Silicon strain gauge | Silicon strain gauge |
| Material | Non-vented | Non-vented |
| Accuracy***, FS | Titanium | 316L Stainless Steel |
| FS = Full Scale | +/-0.1% | +/-0.2% or better |
| 0 to 50°C | +/-0.2% | +/-0.2% or better |
| Resolution | 0.005% FS or better | 0.01% FS or better |
| Range | Non-vented: 1.14 bar (16.5 psi) | Non-Vented: 30, 100, 300 psia (10.9, 60.1, 200.7m 35.8, 197.3, 658.7 ft) |
| *** Accuracy with 4-20mA output option: +/-0.25% typical | | |
| Temperature Sensor | | |
| Material | Silicon | Silicon |
| Accuracy | -5 to 50°C | +/-0.25°C |
| Resolution | 0.01°C or better | 0.1°C or better |

TROLL® Hangers and Twist-Lock™ Cables

| | |
|-----------------------------|--|
| Connector* | Twist-Lock connector OR stripped & tinned wire |
| Number of conductors | 6 |
| Internal Conductor Material | Polypropylene |
| Diameter | 6.7mm (0.265") |
| Break strength | 127 kg (280 lbs) |

Cable Types:

- FEP (Generic Teflon®) coated steel cable for hanging
- Direct read non-vented Polyurethane or Halogen-Free Polyurethane

Warranty

The Level TROLL and BaroTROLL come with a one-year warranty. Standard Twist-Lock cables include a one-year warranty. Rugged Twist-Lock cables 2 years.

Minimum Computer System Requirements: 400MHz Pentium® II, 128MB RAM, 100MB free disk space, Internet Explorer® 5.0 or higher, Windows® 2000 Professional SP2 or better, or Windows XP Professional SP1 or better

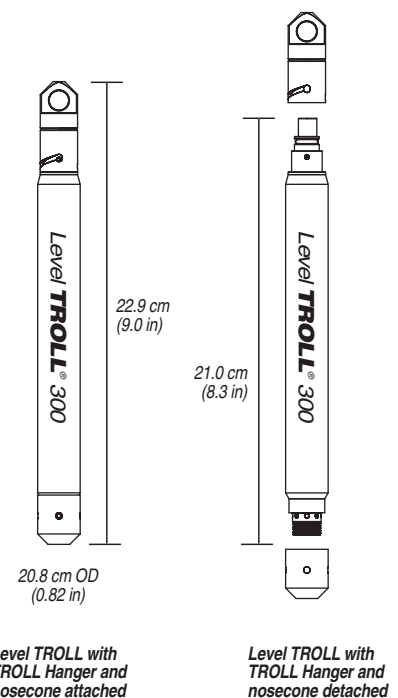
Win-Situ® Software

Connect to the Level TROLL and view data in a format you like faster and easier than ever before! We've completely redesigned our leading Win-Situ software with you in mind.

Win-Situ features a streamlined graphical interface with pictures and diagrams to guide setup. Data is stored by your sites and can be viewed or instantly exported to MS Excel. Every screen has an easy-to-read graphical 'dashboard' with indicators. Plus friendly Wizards guide every step.



Level TROLL 300 Dimensions



This information is subject to change without notice. Copyright © 2006 by In-Situ Inc. All rights reserved. In-Situ®, TROLL®, Twist-Lock™, Win-Situ®, and Pocket-Situ™ are trademarks or registered trademarks of In-Situ Inc. Delrin, Teflon are registered trademarks of Dupont. Windows, Excel are registered trademarks of Microsoft. Pentium is a registered trademark of Intel.



3/8/2006