

# TPSADA

DIGITAL AUTOZERO & SPAN OPTION



## Main Features

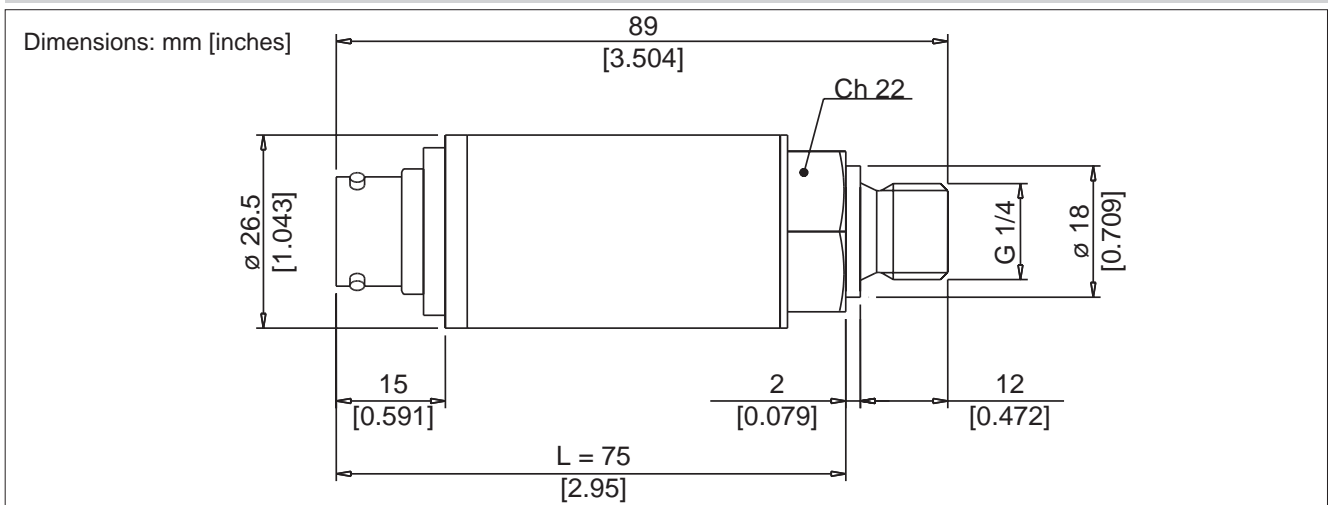
- Coarse Magnetic Autozero
- Fine Magnetic Autozero
- Calibration Signal 80% FS
- Magnetic Autospan
- Partial reset function
- Total reset function

Digital "Autozero & Span" option makes the pressure transmitter **TPSA Series** a product extremely innovative and versatile. Designed thanks to the advanced electronics used by TPSA, this function allows zero and span adjustment in a simple, fast and reliable way, avoiding to use analogue trimmer, potential weak point and source of possible drifts or failures. The starting is user friendly, simply touching the specific target marked on the sensor body with a pen with magnetic head (included as standard). Within few seconds the operation is concluded, without the need to dismantle or to open the instrument.

## TECHNICAL DATA

Autozero	$\pm 10\%FS$ max with zero setting within the sensor accuracy class, @ °T Amb.
Autozero Setting Time	1...10 seconds
Fine Autozero Adjustment	Resolution 6 mV (voltage output); 12 $\mu A$ (current output)
Fine Autozero Adjustment Amplitude	$\pm 100$ mV (voltage output), $\pm 0.16$ mA (current output) by successive steps with maximum setting time 5 sec. per step
Calibration Function	Signal output generation of 80% FS @ °T Amb.
Calibration Function Setting Time	>1 sec. (by contacts closed in CAL position)
Autospan	$\pm 5\%FS$ max with span setting within the sensor accuracy class, @ °T Amb.
Autospan Setting Time	1...10 sec. (by contacts closed in CAL position)
Partial Reset	Restore of zero factory setting
Partial Reset Setting Time	30...60 sec
Total Reset	Restore of complete factory setting
Total Reset Setting Time	>60 sec
Function Activation	By pen with magnetic head (PKIT 312)

## INSTALLATION DRAWINGS



**Dimensions:** TPSADA, due to the autozero & span board, is 5 mm (0.197 in) longer, so dimension "L" on TK data sheet becomes 75 mm (2.95 in).

**CAL function pin:** The activation of CAL function (Calibration and Autospan) is made by closing the contact between the following pin: - 6 pole connector version (V) pin E-F  
- 7 pole connector version (P) pin 5-6

Please refer to the standard data sheet for all the remaining mechanical and electrical specifications.

# ORDERING INFORMATION

Pressure transmitter **TPSADA**

OUTPUT SIGNAL		
<b>Standard</b>		
0.1 .. 10.1 Vdc	<b>C</b>	
4 .. 20 mA	<b>E</b>	
0 .. 10 Vdc	<b>N</b>	
<b>On request</b>		
0.1 .. 5.1 Vdc	<b>B</b>	
0 .. 5 Vdc	<b>M</b>	
1 .. 5 Vdc	<b>P</b>	
1 .. 10 Vdc	<b>Q</b>	
1 .. 6 Vdc	<b>R</b>	

PRESSURE CONNECTION		
<b>Standard</b>		
G 1/4 gas male	<b>1</b>	
<b>On request</b>		
7/16-20 UNF-2A male (SAE 4 for AS4395-E)	<b>2</b>	
G 1/2A (DIN 16288)	<b>3</b>	
G 1/4 gas female	<b>4</b>	
1/8-27 NPT female	<b>5</b>	
1/4-18 NPT female	<b>6</b>	
1/4-18 NPT male	<b>7</b>	
M14 x 1.5 male	<b>8</b>	
1/8-27 NPT male	<b>9</b>	
G 1/4 male (DIN 3852-E)	<b>E</b>	
M12 x 1.5 male	<b>R</b>	
7/16-20 UNF-2A male (SAE 4 for J1926-2) (*)	<b>K</b>	
7/16-20 UNF-2A female (SAE 4)	<b>F</b>	

(\*) Max. working pressure:  
630 bar (9137 psi)

ELECTRICAL CONNECTION		
4-pole connector solenoid	<b>E (°)</b>	
shielded cable	<b>F (°)</b>	
4-pole connector	<b>Z (°)</b>	
4-pole connector microsolenoid	<b>M (°)</b>	
7 pole connector	<b>P</b>	
6 pole connector	<b>V</b>	

(°) With this kind of connector is available the "Autozero" function only.

Ex.: **TPSADA - N - 1 - P - B35D - T - V**

Pressure transmitter TPSA digital autozero & span, 0...10Vdc output signal, G 1/4 male pressure connection, 7 pole connector, 0...350 bar measurement range, ± 0.1% FSO accuracy, 1msec response time.

Mechanical and/or electrical characteristics differing from standard may be arranged on request.

### RESPONSE TIME

<b>V</b>	Fast (< 1 msec)
----------	-----------------

### ACCURACY

<b>T</b>	± 0.1% FSO typical ≥100bar/1500psi ± 0.15% FSO typical <100bar/1500psi
----------	---

### MEASUREMENT RANGE

	bar		psi
<b>B05D</b>	0..50	<b>P75D</b>	0..750
<b>B01C</b>	0..100	<b>P15C</b>	0..1500
<b>B16D</b>	0..160	<b>P20C</b>	0..2000
<b>B02C</b>	0..200	<b>P25C</b>	0..2500
<b>B25D</b>	0..250	<b>P03M</b>	0..3000
<b>B35D</b>	0..350	<b>P05M</b>	0..5000
<b>B04C</b>	0..400	<b>P75C</b>	0..7500
<b>B05C</b>	0..500	<b>P10M</b>	0..10000
<b>B06C</b>	0..600	<b>P15M</b>	0..15000
<b>B07C</b>	0..700		
<b>B01M</b>	0..1000		

### CALIBRATION STANDARDS

Instruments are calibrated against precision pressure calibration equipment which is traceable to International Standards.

cod. TPSADA - 04/06